

Model 40 Series | 4" Standart Pressure Vessel



40 - 300 E

300 PSI

HISTORY

Aqualine is a new type of pressure vessel company with over 50 years of combined experience in FRP pressure vessel engineering and design, we specialize in the manufacture of high quality pressure vessels.

We design pressure vessels to provide long-term, trouble-free operation, with minimal down time improve running costs.

Aqualine pressure vessels are manufactured for small to medium size to large commercial size plants. We offer pressure vessels in a variety of sizes that fit standart sized membranes offered by top membrane manufacturers. In addition we custom design vessels for high chemical resistance.

At Aqualine we engineer high quality pressure vessel aolutions that fit your need. Aqualine uses only high quality materials and reliable parts that undergo rigorous quality control standart. Our Highly experienced, trusted and trained engineers has performed numerous service installations worldwide.

Benefit from our experience.

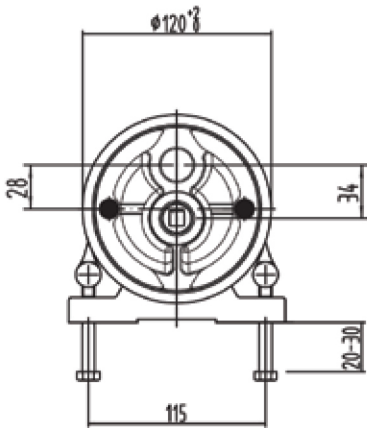
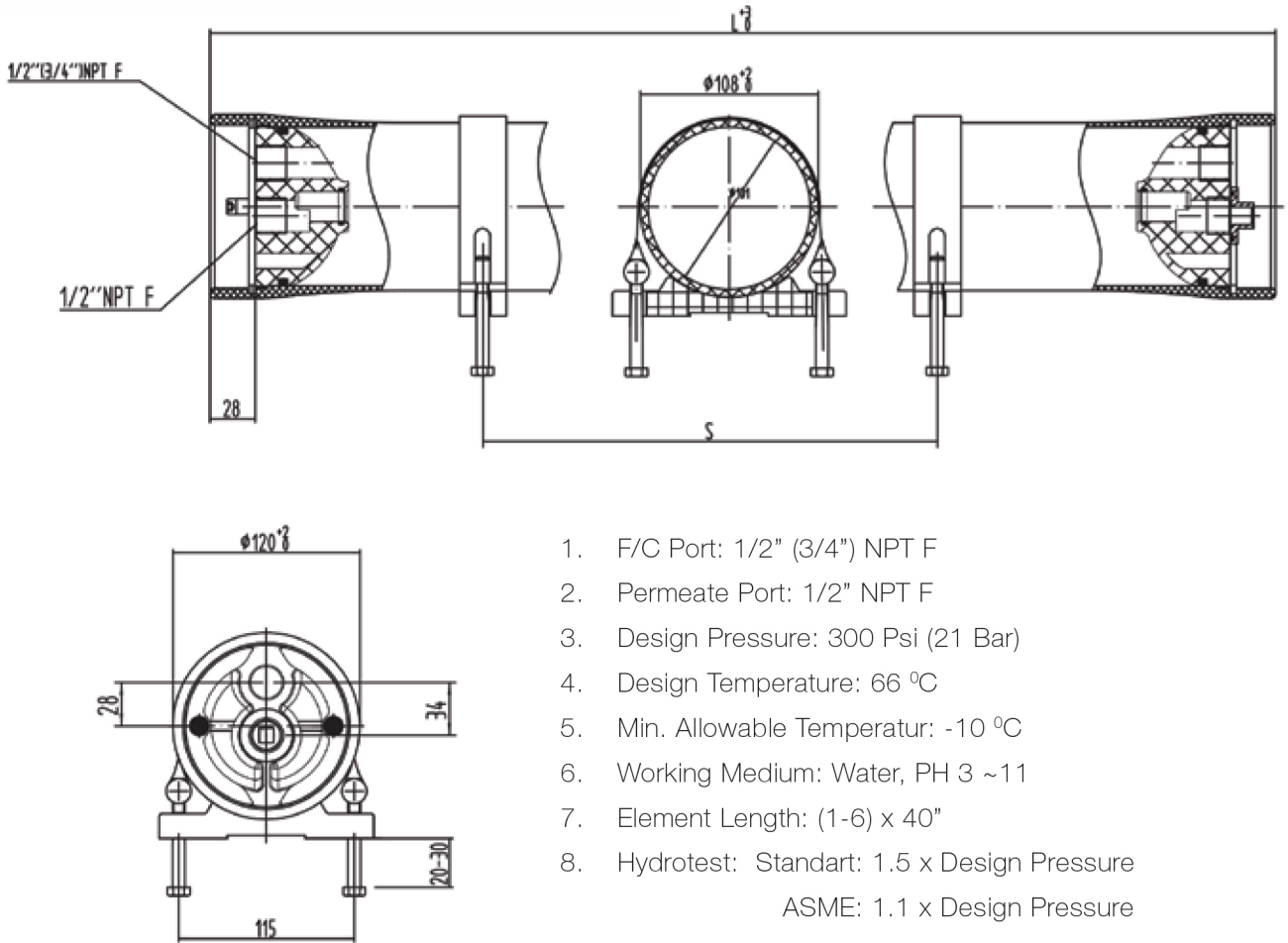
APPLICATION

Aqualine pressure vessels are engineered for permeate and feed/connection types and sizes. Our pressure vessels are fully customizable and may be offered as OEM aequipment.

FEATURES

- Easy installation and trouble-free maintenance
- Custom designed and configured to customer specifications
- End port configuration
- 300 Psi, 450 Psi, 600 Psi, 1000 Psi

40 300E | 4" Standart Pressure Vessel



ISO & ISO 9000 are trademarks of ISO (International Organization for Standardization). All rights reserved.

Shell Length Code	Part Number	L (mm)	S (mm)
1	40-300E-1	1,140	600
2	40-300E-2	2,156	1,200
3	40-300E-3	3,172	2,200
4	40-300E-4	4,268	1,600 x 2
5	40-300E-5	5,284	2,300 x 2
6	40-300E-6	6,300	2,700 x 2